



**MITSUBISHI  
MOTORS**  
Drive your Ambition

# ALL-NEW TRITON

— SINGLE CAB —



# SUPERIOR POWER, TORQUE & PERFORMANCE



Clean & Efficient  
**2.4L**  
Diesel Technology

**184PS**  
of Power

**430NM**  
of Torque



**EASY  
SELECT 4WD**

The 4WD Power button enables switching from 2H to 4H and makes it easy to drive on different road conditions. 2H to 4H switching can be done when the vehicle speed is not exceeding 100 km/hr.

**HYPER POWER**



**LARGEST IN CLASS  
CARGO LOADING CAPACITY**



**WIDE CARGO BED WITH  
MAXIMIZED DEPTH**

Easily carry all your essentials, including an Euro pallet, with the versatile cargo bed. It's designed to handle everything you need, and more.

# NEXT-GEN INTERIOR WITH MAXIMIZED SPACE



Premium materials engineered for more comfort and durability.



Highly functional and versatile storage spaces.



# ENGINEERED FOR SAFETY & TOTAL CONTROL



**NEW MEGAFRAME CHASSIS FOR INCREDIBLE STRENGTH**



**ENHANCED SUSPENSION**  
with high ground clearance



Anti-Lock Braking System (ABS)



Active Stability Control (ASC)



Active Limited Slip Differential (Brake Control)



Brake Assist



Hill Start Assist



Electronic Brake Force Distribution



Dual SRS Airbag & Driver's Knee Airbag



Trailer Stability Assist

## TECHNICAL SPECIFICATIONS

Model / Variant			M/T
<b>Engine &amp; Transmission</b>			
Engine Type	2.4L 4N16 Turbo Diesel (Euro 4)		
Displacement	cc	2,442	
Max. Output (EEC-Net)	kW(PS)/rpm	135 (184) / 3,500	
Max. Torque (EEC-Net)	Nm /rpm	430 / 2,250 - 2,500	
Transmission	6-speed Manual		
<b>Chassis &amp; Suspension</b>			
Suspension	Front	Double Wishbone With Coil Springs & Stabilizer Bar	
	Rear	Elliptic Leaf Spring	
Brake	Front	Ventilated Disc	
	Rear	Leading & Trailing Drum	
Drivetrain System	Type	Easy Select 4WD	
Steering	Rack & Pinion with Hydraulic Power Steering		
Tyres	265/65 R17		
Rims	17" Steel Wheel		
<b>Dimensions</b>			
Overall	Length	mm	5,320
	Width	mm	1,865
	Height	mm	1,785
Wheelbase	mm	3,130	
	Track	mm	1,570
Deck	Front	mm	1,570
	Rear	mm	1,565
Deck	Length	mm	2,340
	Width	mm	1,580
	Height	mm	515
Fuel Tank Capacity	litre	75	

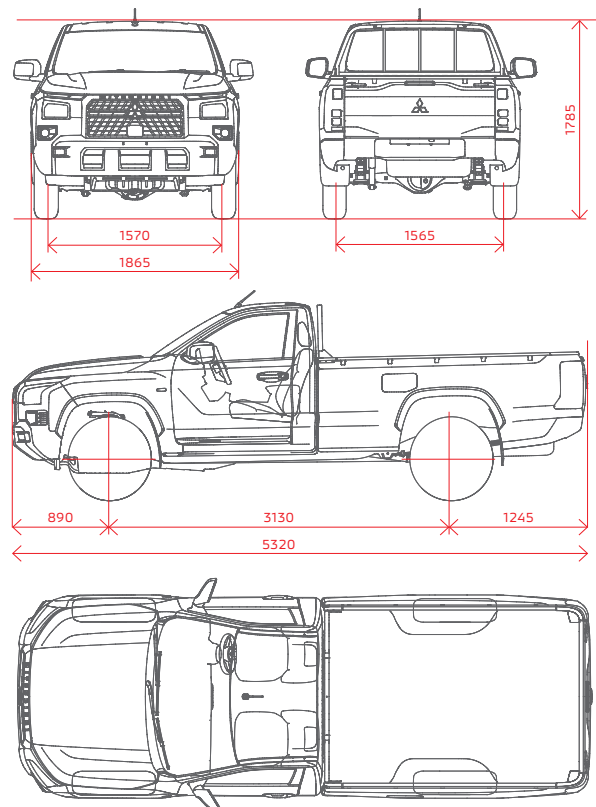
## STANDARD EQUIPMENT

Model / Variant			M/T
<b>Exterior Features</b>			
Headlamps	Type	Auto Light	
	Levelling Device	With (Manual)	
Fog Lamps	Rear	LED	
Front Dynamic Shield Design	Black		
Rear Step Bumper	With		
Door Mirrors	Power Adjustable		
Door Handles	Outer & Tailgate	Black	
Tailgate	Handle	With	
Variable Intermittent Wiper	With Rain Sensing		
<b>Interior Features</b>			
Meter Panel	Type	Back-Lit	
	Multi-Information Display (MID)	With	
Rear view mirror	With		
Audio System	Type	Bluetooth, Microphone	
	Speakers	2	
Air Conditioning	Front	Manual	
Steering Wheel	Type	3-spoke Urethane	
Power Windows	With (Auto Up/Down with Anti-pinch)		
Door Lock	Center lock system		
Seats	Material	Vinyl	
	Front Adjustments	Manual (Driver & Passenger)	
		Front	With Centre Arm-rest
Gear Knob Lever	Material	Urethane	
Handbrake lever	Urethane		

## SAFETY

Model / Variant			M/T
<b>Active</b>			
Emergency Stop Signal System (ESS)			With
Brake Override System			With
Active Limited Slip Differential (Brake Control)			With
Anti-Lock Braking System (ABS)			With
Electronic Brake-force Distribution (EBD)			With
Brake Assist (BA)			With
Active Stability Control (ASC)			With
Hill-Start Assist (HSA)			With
Trailer Stability Assist (TSA)			With
Seatbelt Reminder			Driver & Passenger
High Mount Stop Lamp			With (LED)
ISOFIX			With Front Tether (x1)
<b>Passive</b>			
Dual SRS Airbags			With
Driver's Knee Airbag			With
RISE Body			With Extra Rigid Frame
Side Impact Door Beams			With
Rear Guard Bar			With
Seatbelts	Front	3-point ELR with Pretensioner	
Collapsible Steering Column			With
Collapsible Brake Pedal			With
<b>Security</b>			
Alarm System			With
Immobilizer			With

## DIMENSIONAL VIEWS



All measurements in millimetres

# MITSUBISHI MOTORS

Official Distributor:

**Mitsubishi Motors Malaysia Sdn Bhd**

200501002982 (680028-M)

Level 6, Building A, Dataran PHB, Saujana Resort, Seksyen U2, 40150 Shah Alam, Selangor.

[f](#) [@](#) MitsubishiMotorsMalaysia



[www.mitsubishi-motors.com.my](http://www.mitsubishi-motors.com.my)

**5 YEARS WARRANTY**  
OF **200,000KM**

Applicable for private vehicle registration only.

- Mitsubishi Motors Malaysia reserves the right to alter any details of specifications and equipment without prior notice.
- Vehicle and specifications may vary from models available locally. Vehicle body and accessory colours may differ slightly from illustrations.
- Some accessories upgrades are by Mitsubishi Motors Malaysia authorized dealers.